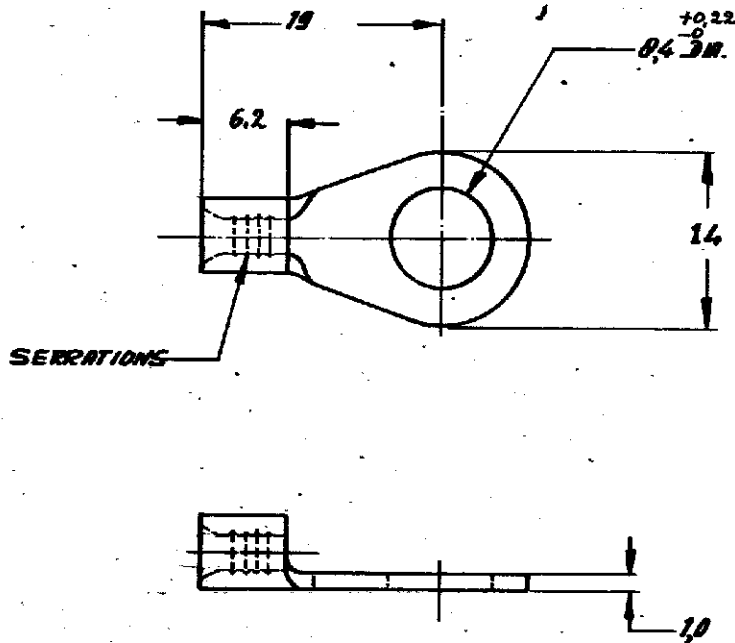


DRAWING MADE IN AMERICAN PROJECTION

PART NO. C-165304-E



DIMENSIONS IN IN. DO NOT SCALE PRINT

CUSTOMER COPY FOR REFERENCE ONLY

©1967 BY AMP-HOLLAND N.V. ALL RIGHTS RESERVED A-MP PRODUCTS COVERED BY PATENTS AND/OR PATENTS PENDING.



AMP-HOLLAND N.V.
HERTOGENBOSCH
HOLLAND

165304	COPPER	INPLATED	WIRE-RANGE 4-6 (M7) 2	INSUL-RANGE	TYPE - DIM - SILISTRAND	SCALE	LOC H	SIZE A	NO C-165304-E	REV C
ORDER NO.	MATERIAL	PLATING	SCALE	LOC	SIZE	NO	NAME RINGTONGUE stud. M8		REV	
DR R. BUCHDT.	DATE 1/6-67	CHK DATE	APP DATE	DATE 1/10/67	DATE 1/10/67	DATE 1/10/67				